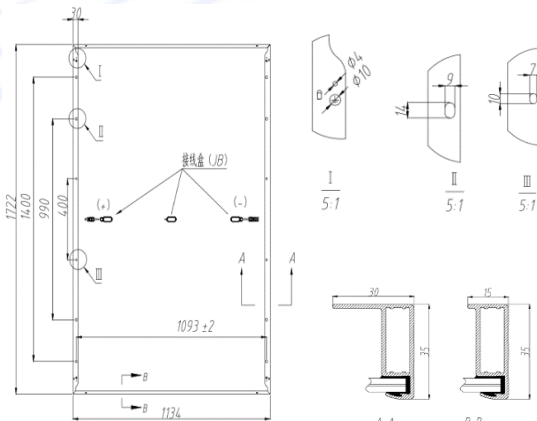


Mechanical Specifications @STC

Solar Cells:	Mono
Number of Cells:	108pcs
Module:	1722×1134×35mm
Weight:	25.2 kg±3%
Snow/Wind Load:	5400/2400 Pa
Thickness of Glass:	dual 2.0mm
Junction Box:	IP68, 3 Diodes
Connector:	HTC-16, IP68
Length:	(+)290mm /(-)290mm(including connector)



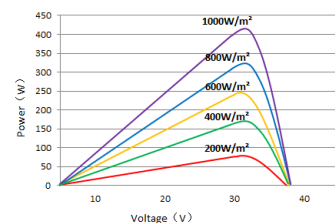
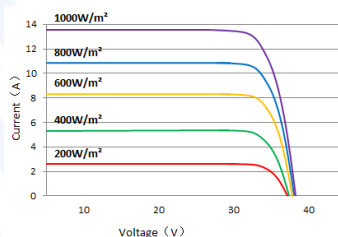
Electrical Specifications @STC

Pmax (W) 0~+5W	Umpp (V)	Impp(A)	Uoc (V) ±3%	Isc(A) ±3%	Module Efficiency	Max System Voltage	Max Series Fuse	Bifacial Gain 5% (W)	Bifacial Gain 15% (W)	Bifacial Gain 25% (W)
390	30.24	12.91	36.55	13.36	19.97%	1500V	25A	410	449	488
395	30.37	13.01	36.74	13.43	20.23%	1500V	25A	415	454	494
400	30.56	13.10	36.87	13.55	20.48%	1500V	25A	420	460	500
405	30.73	13.19	37.07	13.64	20.74%	1500V	25A	425	466	506
410	30.90	13.27	37.22	13.74	21.00%	1500V	25A	431	472	513
415	31.07	13.36	37.34	13.86	21.25%	1500V	25A	436	477	519

Temperature Parameter

Temperature Cycling Range:	-40°C ~ +85°C
Norminal Module Operating Temperature:	45±2 °C
Temperature Coefficient of Isc:	0.028%/°C
Temperature Coefficient of Voc :	-0.302%/°C
Temperature Coefficient of Pmax :	-0.414%/°C

I-V Curve LSDMH108-410W



Packaging Configuration

Modules Per Pallet:	31pcs
Modules Per 40' HQ:	806pcs

Guarantee

12-year warranty on materials & workmanship
30-year linear power output warranty