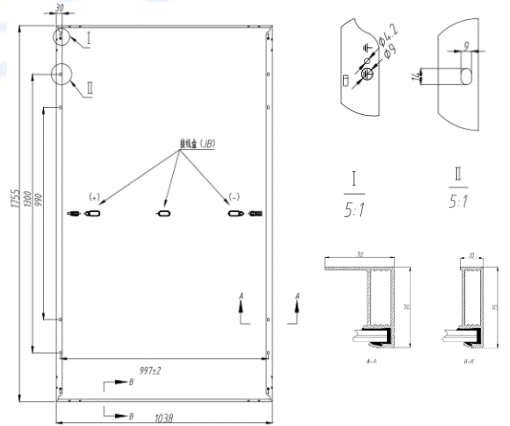




# LINUO SOLAR LSDMH120-350W-380W

## Mechanical Specifications @STC

Solar Cells:	Mono
Number of Cells:	120pcs
Module Dimension:	1755×1038×35mm
Weight:	23 kg
Snow/Wind Load:	5400/2400 Pa
Thickness of Glass:	Dual Glass 2mm
Junction Box:	IP68, 3 Diodes
Connector:	HTC-16, IP68



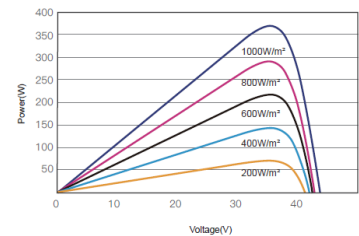
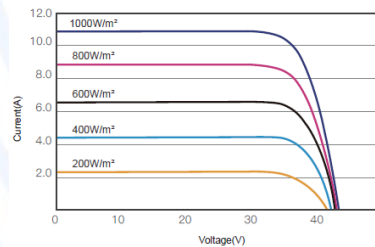
## Electrical Specifications @STC

Pmax (W) 0-+5W	Umpp (V)	Impp(A)	Uoc (V) ±3%	Isc(A) ±3%	Module Efficiency	Max System Voltage	Max Series Fuse	Bifacial Gain 5% (W)	Bifacial Gain 15% (W)	Bifacial Gain 25% (W)
350	33.16	10.57	40.30	11.08	19.21%	1500V	20A	367	402	437
355	33.39	10.65	40.54	11.17	19.49%	1500V	20A	372	408	443
360	33.63	10.73	40.81	11.25	19.76%	1500V	20A	378	414	450
365	33.87	10.79	41.09	11.32	20.04%	1500V	20A	383	419	456
370	34.08	10.88	41.31	11.41	20.31%	1500V	20A	388	425	462
375	34.26	10.95	41.54	11.50	20.59%	1500V	20A	393	431	468
380	34.46	11.02	41.77	11.61	20.86%	1500V	20A	399	437	475

## Temperature Parameter

Temperature Cycling Range:	-40°C ~ +85°C
Norminal Module Operating Temperature:	45±2 °C
Temperature Coefficient of Isc:	0.028%/°C
Temperature Coefficient of Voc :	-0.302 %/°C
Temperature Coefficient of Pmax :	-0.414%/°C

## I-V Curve LSDMH120-370W



## Packaging Configuration

Modules Per Pallet:	31pcs
Modules Per 40' HQ:	806pcs

## Guarantee

12-year warranty on materials & workmanship  
30-year linear power output warranty