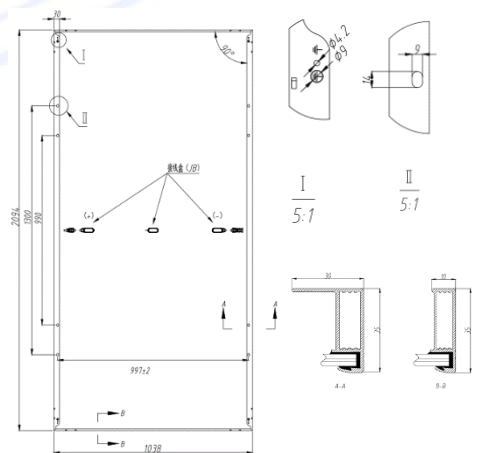


Mechanical Specifications @STC

Solar Cells:	Mono
Number of Cells:	144pcs
Module Dimension:	2094×1038×35mm
Weight:	27.5kg
Snow/Wind Load:	5400/2400 Pa
Thickness of Glass:	Dual Glass 2mm
Junction Box:	IP68, 3 Diodes
Connector:	HTC-16, IP68
Length:	(+)290mm /(-)290mm(including connector)



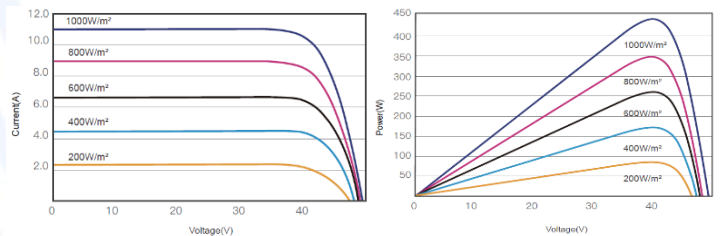
Electrical Specifications @STC

Pmax (W) 0~+5W	Jmpp (V)	Impp(A)	Uoc (V) ±3%	Isc(A) ±3%	Module Efficiency	Max System Voltage	Max Series Fuse	Bifacial Gain 5% (W)	Bifacial Gain 15% (W)	Bifacial Gain 25% (W)
430	40.65	10.59	48.78	11.22	19.78%	1500V	20A	451	494	537
435	40.84	10.66	48.98	11.30	20.01%	1500V	20A	456	500	543
440	41.02	10.73	49.19	11.38	20.24%	1500V	20A	462	506	550
445	41.23	10.80	49.36	11.47	20.47%	1500V	20A	467	511	556
450	41.39	10.88	49.49	11.56	20.70%	1500V	20A	472	517	562
455	41.55	10.97	49.62	11.65	20.93%	1500V	20A	477	523	568
460	41.69	11.05	49.75	11.76	21.16%	1500V	20A	483	529	575

Temperature Parameter

Temperature Cycling Range:	-40°C ~ +85°C
Norminal Module Operating Temperature:	45±2 °C
Temperature Coefficient of Isc:	0.028%/°C
Temperature Coefficient of Voc :	-0.302 %/°C
Temperature Coefficient of Pmax :	-0.414%/°C

I-V Curve LSDMH144-450W



Packaging Configuration

Modules Per Pallet:	31pcs
Modules Per 40' HQ:	682pcs

Guarantee

12-year warranty on materials & workmanship
30-year linear power output warranty