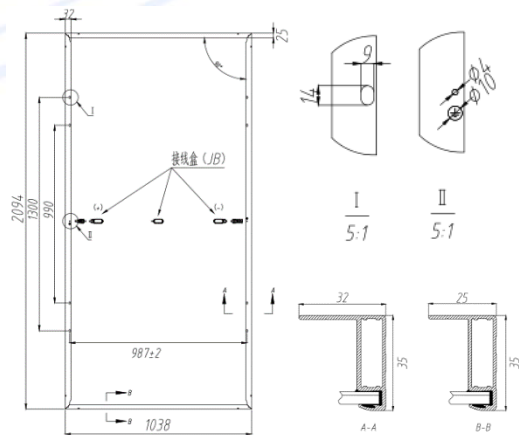


Mechanical Specifications @STC

| | |
|---------------------|---|
| Solar Cells: | Mono |
| Number of Cells: | 144pcs |
| Module Dimension: | 2094×1038×35mm |
| Weight: | 23.5kg |
| Snow/Wind Load: | 5400/2400 Pa |
| Thickness of Glass: | 3.2mm |
| Junction Box: | IP68, 3 Diodes |
| Connector: | HTC-16, IP68 |
| Length: | (+)290mm /(-)290mm(including connector) |



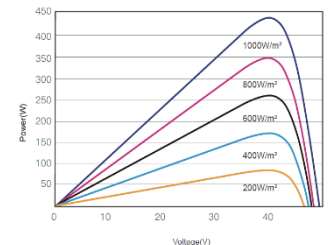
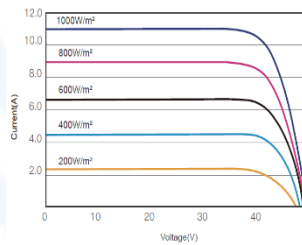
Electrical Specifications @STC

| Pmax (W) 0-+5W | Umpp (V) | Impp(A) | Uoc (V) ±3% | Isc(A) ±3% | Module Efficiency | Max System Voltage | Max Series Fuse |
|-------------------|----------|---------|----------------|---------------|----------------------|--------------------|-----------------|
| 435 | 40.84 | 10.66 | 48.98 | 11.3 | 20.01% | 1500V/1000V | 20A |
| 440 | 41.02 | 10.73 | 49.19 | 11.38 | 20.24% | 1500V/1000V | 20A |
| 445 | 41.23 | 10.8 | 49.36 | 11.47 | 20.47% | 1500V/1000V | 20A |
| 450 | 41.39 | 10.88 | 49.49 | 11.56 | 20.70% | 1500V/1000V | 20A |
| 455 | 41.55 | 10.97 | 49.62 | 11.65 | 20.93% | 1500V/1000V | 20A |
| 460 | 41.69 | 11.05 | 49.75 | 11.76 | 21.16% | 1500V/1000V | 20A |

Temperature Parameter

| | |
|--|---------------|
| Temperature Cycling Range: | -40°C ~ +85°C |
| Norminal Module Operating Temperature: | 45±2 °C |
| Temperature Coefficient of Isc: | 0.048%/°C |
| Temperature Coefficient of Voc : | -0.252 %/°C |
| Temperature Coefficient of Pmax : | -0.332%/°C |

I-V Curve LSSMH144-440W



Packaging Configuration

| | |
|---------------------|--------|
| Modules Per Pallet: | 31pcs |
| Modules Per 40' HQ: | 682pcs |

Guarantee

12-year warranty on materials & workmanship
25-year linear power output warranty